

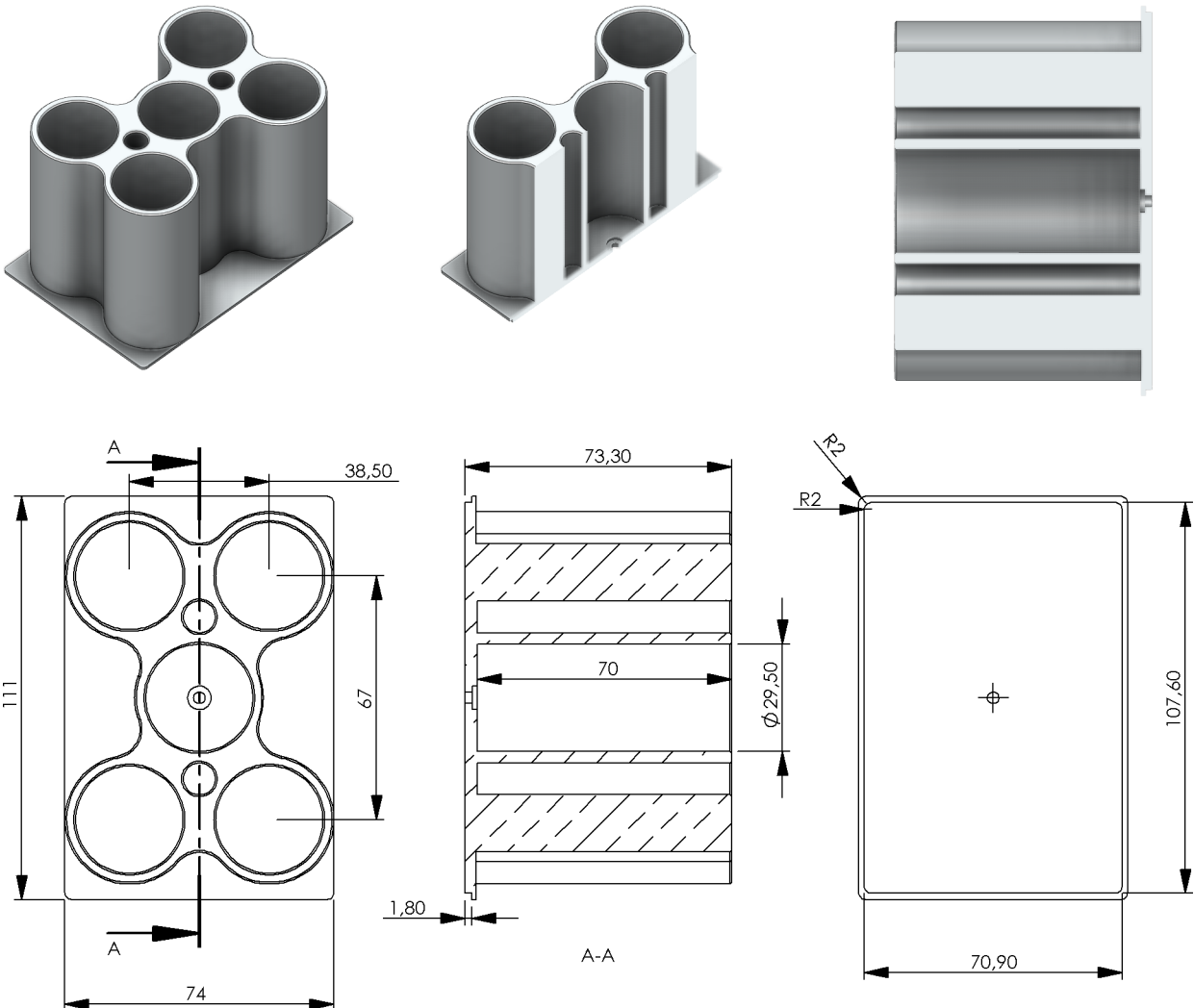
**Product Profile**

|                          |                                    |
|--------------------------|------------------------------------|
| Part number              | 2016-1093                          |
| Article name             | Adapter for FALCON® tubes 5x 50 ml |
| Category                 | Cylindrical shape / vial           |
| CO   Customs tariff code | DE   8479 90 70                    |

**Specifications**

|                     |  |
|---------------------|--|
| Ideal fit for*      |  |
| Material / Color    | Aluminum anodized  |
| Temperature range   | -20 to 100 °C  |
| Compatible with     | QInstruments Devices with Art No 2016-xxx (All instruments with single point connection)   |
| Mounting material   | 1x Cylinder screw (BN20146 M3x6-A2, lower head)   1x Torx screwdriver TX8  |
| Adapter dimensions  | see drawing  |
| Weight              | 442 g   15.59 oz   |
| Recommended max rpm | The maximum speed depends on a set of parameters like used device, liquid volume, height of labware, ... A general applicable value cannot be specified. Please refer to the operation manual of your device for additional information. |

\* Latest information and possibly additional adapters are available on request: <https://www.qinstruments.com/contact/>



TECHNICAL SPECIFICATIONS ARE SUBJECT TO CHANGE WITHOUT NOTICE!