

**Product profile**

Part number	2016-0015
Article name	BioShake D30
Description	Automation friendly Shaker. Designed to be integrated in liquid handling and automation platforms to process labware in chemical and biological laboratories.
Recommended use	Automation   Shaking   Tubes, Vials
Scope of delivery	BioShake D30   External power supply   Power cords Europe & US   2x screws to mount device (M3 x 18   DIN 912)   Calibration certificate   Operation & Integration manual
Conforming use	System is operated by qualified and trained research and laboratory personnel. Applicable safety standards or rules need always be fulfilled.
Country of origin	DE
Customs tariff code	8479 82 00

**Mixing**

Mixing frequency range	200 to 2000 rpm with 1 rpm increment resolution
Maximum frequency*	< 225 g: 2000 rpm   < 300 g: 1800 rpm   < 500 g: 1500 rpm   > 500 g: 1000 rpm
Mixing orbit	constant 3.0 mm diameter
Mixing regulation accuracy	± 25 rpm
Accel. / Decel. range	1 - 30 seconds with 1 second increment resolution
Zero position	Locked zero position with ± 0.1 mm accuracy

\* Feasible frequency heavily depends on load weight **and** height. **Always** start with low frequencies and iterate upwards.

**Adapter plates for different labware**

Description	An adapter is required for optimal fixation of labware and needs to be purchased separately. The adapter can be exchanged by the user.
Microplates	All microplates according ANSI-SLAS format 4-, 6-, 8-, 12-, 24-, 48-, 96-, 384-, and 1536-well microplates, deep well plates, PCR plates
Tubes and Vials	0.2, 0.5, 1.5, 2.0 ml standard tubes   2.0, 4.0, 6.0, 8.0, 10.0 ml cylindrical shaped vials
Others	Custom made adapter on request

**Device control**

Description	Required electronic for remote control is build in the device. No external controller required.
Operation control	Remote controlled as described in the Integration Manual
Peripheral interface	EIA-232 / RS-232 interface (2 m cable with RS-232 plug-in connector) optional: USB via USB-Serial Adapters (Rec. DIGITUS DA-70156) or USB via MOXA USB-to-Serial Hub
Status	LED in front (GREEN = ok   RED = error)

**Electrical**

Operating voltage	24 V DC   Imax: 3.1 A   Peff: 15 Watt   Pmax: 75 Watt
Power supply	Input: 100 - 240 V AC   50 - 60 Hz Output: 24 V DC   Imax: 5.0 A   Pmax: 120 Watt External power supply unit (CE/UL/CSA approved, 85-264 V AC, 47-63 Hz, IEC/EN60320-1 C14   Degree of protection: IP20)
Power connection*	Prewired cable   length 2 m   barrel connector ID 2.5 mm x OD 5.5 mm

\* Only use the device with the delivered power cord. If another power cord is used ensure the wire diameter is adequate.

**Operating, transport and storage conditions**

Operating range	5 °C - 45 °C (41 - 113 F)   10 - 80 % RH   up to 2000 m above sea level   non-condensing
Floor base requirements	stable (resonance free)   horizontal   dry   inside buildings   even
Transportation and storage	-10 °C - 60 °C (14 - 140 F)   10 - 80 % RH   non-condensing

TECHNICAL SPECIFICATIONS ARE SUBJECT TO CHANGE WITHOUT NOTICE!

---

**General properties**

---

Housing material	Aluminum anodized
Degree of protection	IP20 (Protected against solid objects up to 12 mm   No protection against water)
Pollution degree	1 (no contamination or only dry, non-conductive contamination, whereby the contamination has no influence)
Airborne sound emission	< 70 db (A)

---

**Dimension and weight**

---

Dimensions	(W x D x H) 142 x 99 x 60.75 mm   5.59 x 3.9 x 2.39 inch
Weight	1.5 kg   3.30 lbs
Packaging size	(W x D x H) 347 x 252 x 131 mm   13.66 x 9.92 x 5.16 inch   cardboard box
Packaging weight	3 kg   6.61 lbs

---

**Certifications**

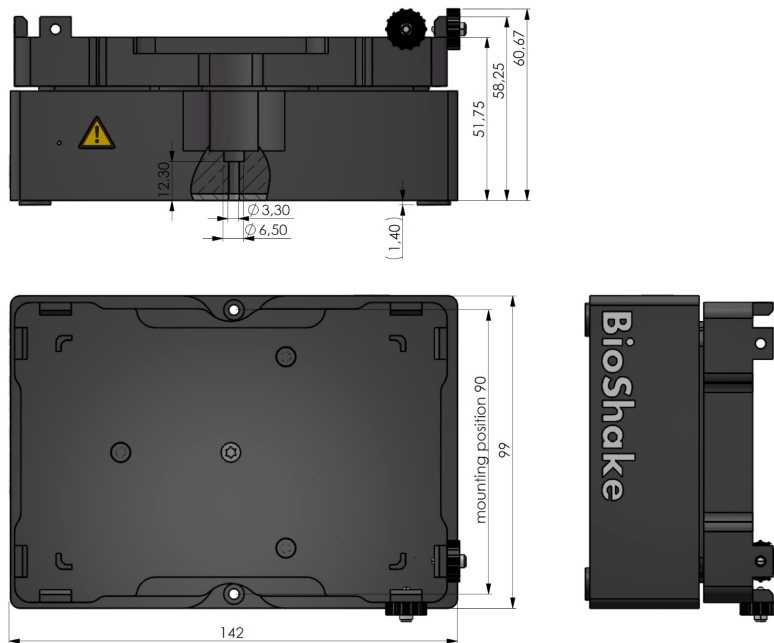
---

Regulatory compliance	2014/30/EU, 2015/863/EU, 2011/65/EU, DIN EN 61010-1:2020-03, DIN EN 61010-2-051:2016-02, DIN EN 61326-1:2013-07, DIN EN 55011:2017-03, DIN EN IEC 63000:2019-05
Patents pending	WO2008135565, US8323588, EP2144716, WO2011113858, US9126162, EP2547431, WO2013113847, US10052598, EP2809436, WO2013113849, US9371889, EP2809435, WO2014207243, US20160368003, EP3013480, WO002022128814A1, WO002022128809A2 Please notify us or our designated agent, if you believe that a user has infringed our intellectual property rights.

---

**Drawing**

---



TECHNICAL SPECIFICATIONS ARE SUBJECT TO CHANGE WITHOUT NOTICE!