

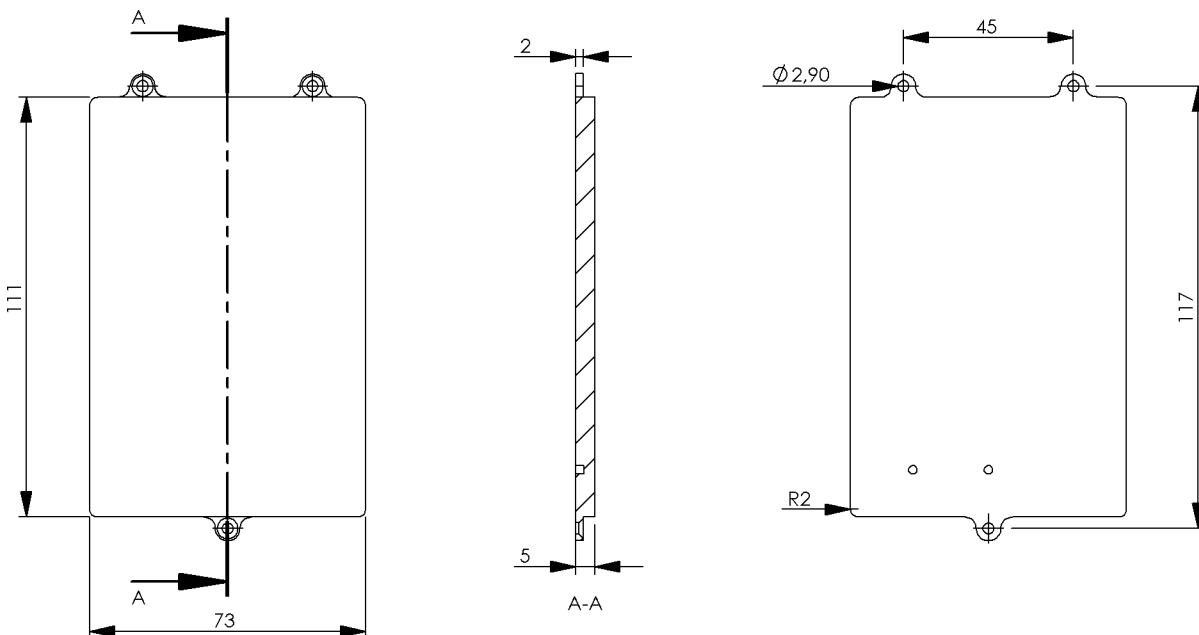
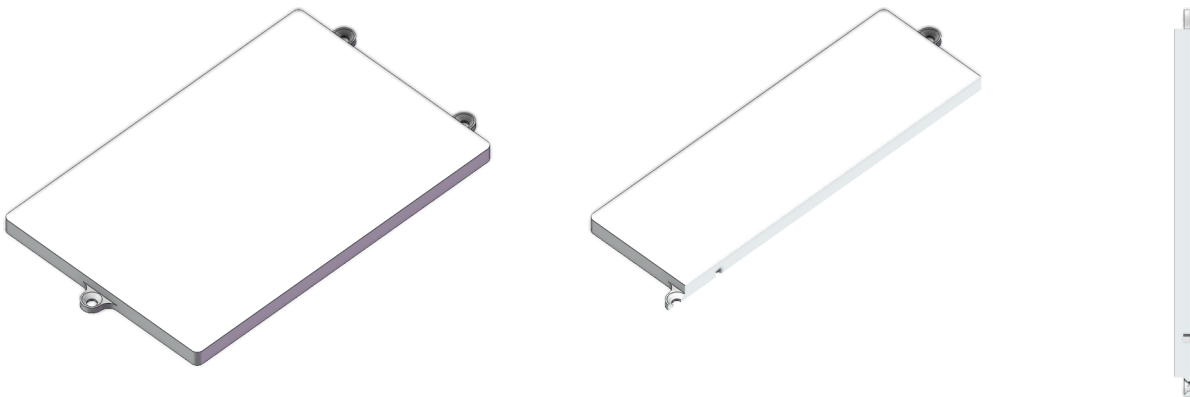
Product Profile

Part number	1808-1021
Article name	Adapter for microplate . Flat bottom standard
Category	PCR microplates
CO Customs tariff code	DE 8479 90 70

Specifications

<p>Ideal fit for*</p> <p>MICROPLATTE, 384 WELL, PS, F-BODEN Greiner Bio One 781073, 781074, 781075, 781076, 781077, 781079, 781080, 781086</p> <p>96 SW PS F-bottom / standard, solid bottom Greiner Bio One 655001, 655061, 655101, 655161, 651199</p> <p>sciPLEXPLATE 96 BICO CPH-5551-10 black Greiner 96</p>	<p>Material / Color Aluminum anodized</p> <p>Temperature range -20 to 100 °C</p> <p>Compatible with QInstruments Devices with Art No 1808-xxx (All instruments with three point connection)</p> <p>Mounting material 3x Cylinder screw (BN20146 M3x6-A2, lower head) 3x Torx screwdriver TX8</p> <p>Adapter dimensions see drawing</p> <p>Weight 110 g 3.88 oz</p> <p>Recommended max rpm The maximum speed depends on a set of parameters like used device, liquid volume, height of labware, ... A general applicable value cannot be specified. Please refer to the operation manual of your device for additional information.</p>
--	---

* Latest information and possibly additional adapters are available on request: <https://www.qinstruments.com/contact/>



TECHNICAL SPECIFICATIONS ARE SUBJECT TO CHANGE WITHOUT NOTICE!