

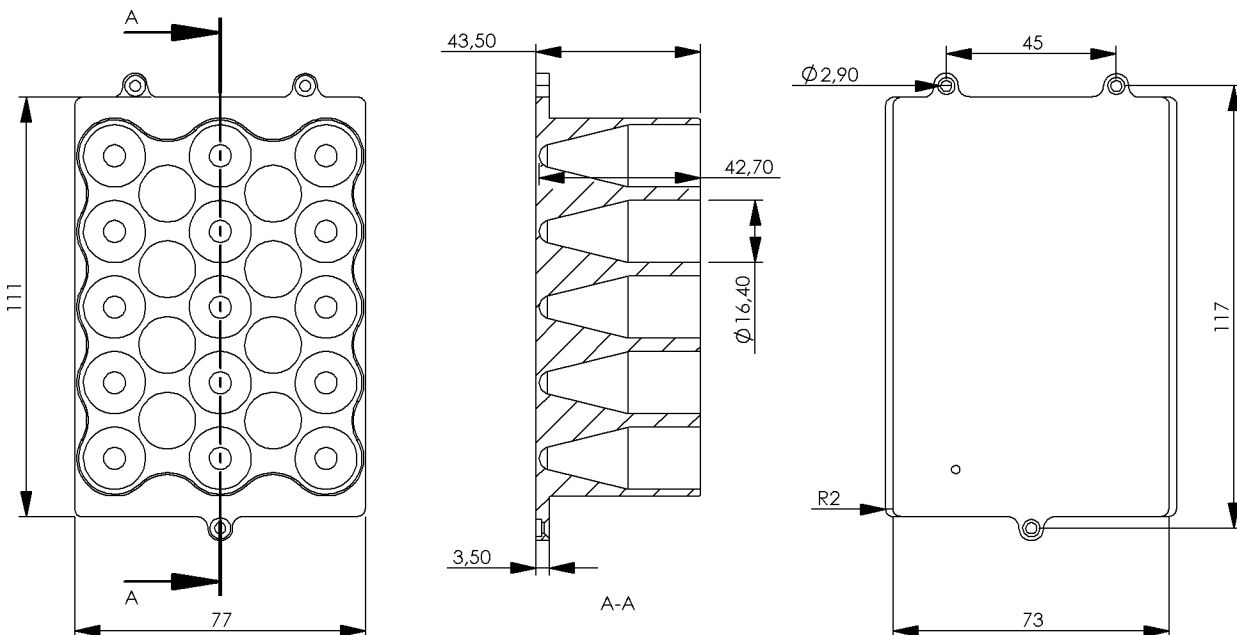
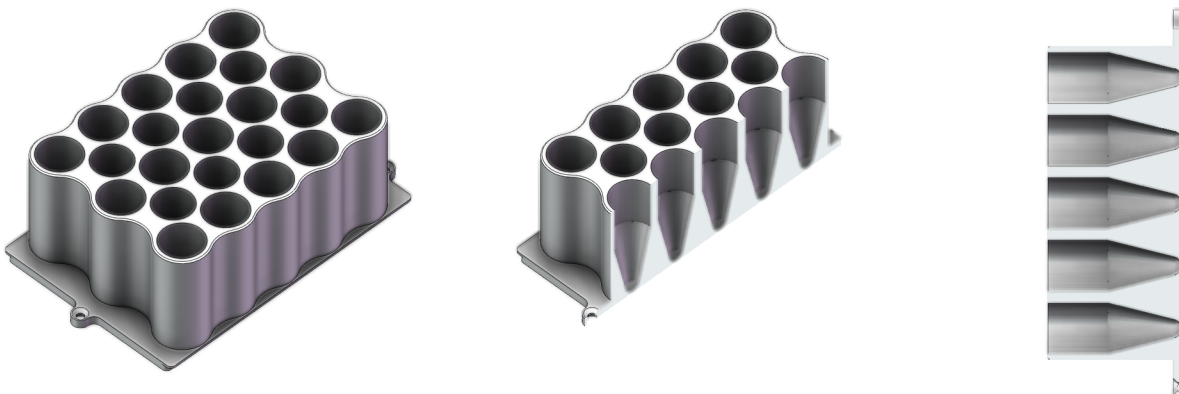
Product Profile

Part number	1808-1060
Article name	Adapter - 15x 5.0 ml tubes
Category	Conical shape / tubes
CO Customs tariff code	DE 8479 90 70

Specifications

Ideal fit for*	
Material / Color	Aluminum anodized
Temperature range	-20 to 100 °C
Compatible with	QInstruments Devices with Art No 1808-xxx (All instruments with three point connection)
Mounting material	3x Cylinder screw (BN20146 M3x6-A2, lower head) 3x Torx screwdriver TX8
Adapter dimensions	see drawing
Weight	415 g 14.64 oz
Recommended max rpm	The maximum speed depends on a set of parameters like used device, liquid volume, height of labware, ... A general applicable value cannot be specified. Please refer to the operation manual of your device for additional information.

* Latest information and possibly additional adapters are available on request: <https://www.qinstruments.com/contact/>



TECHNICAL SPECIFICATIONS ARE SUBJECT TO CHANGE WITHOUT NOTICE!