

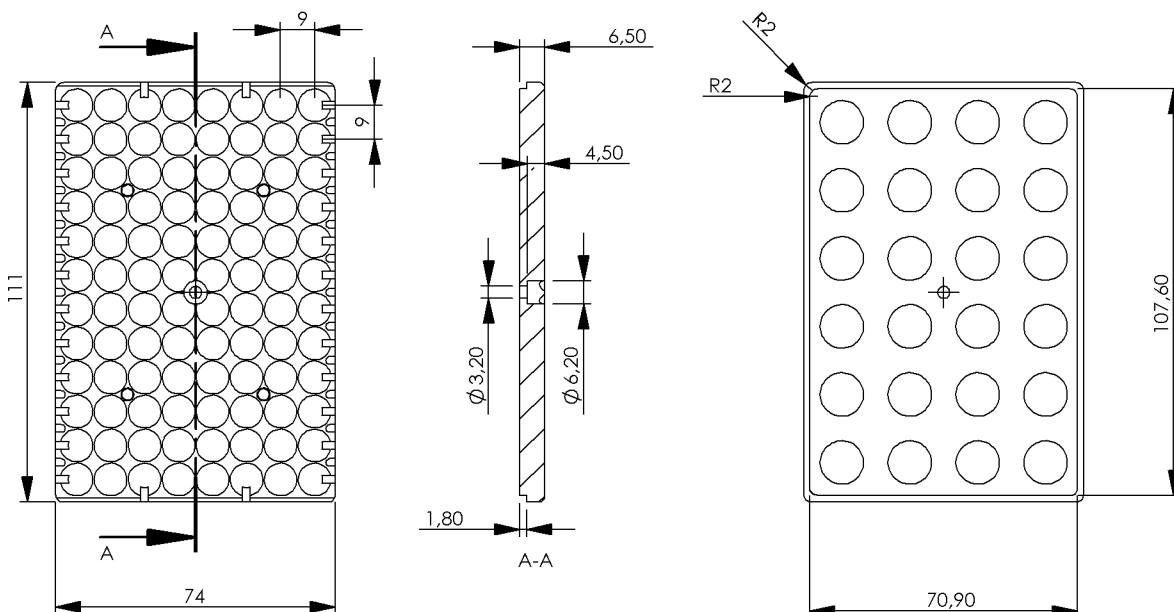
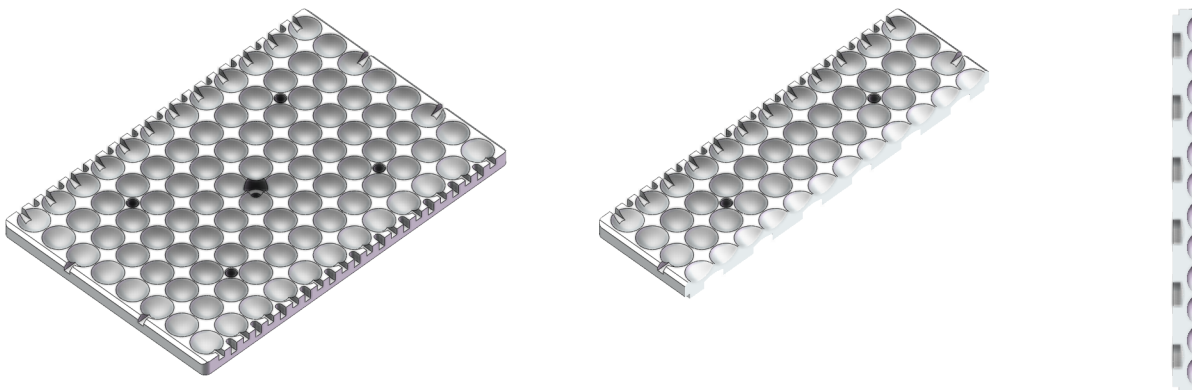
**Product Profile**

Part number	2016-1032
Article name	Adapter for microplate . 96 well round bottom
Category	Standard
CO   Customs tariff code	DE   8479 90 70

**Specifications**

<p><b>Ideal fit for*</b></p> <p>Deep Well MegaBlock®, 96 Well, 1,2 ml, PS, Rundbod Sarstedt   82.1971.002 in PP</p> <p>Mikrotestplatte, 96 Well, Rundboden, PS Sarstedt   82.1582, 82.1582.100, 82.1582.200, 82.1582.001</p> <p>Deep Well MegaBlock®, 96 Well, 2,2 ml, PP, Rundbod Sarstedt  </p>	<p><b>Material / Color</b></p> <p>Aluminum anodized</p>
<p><b>Temperature range</b></p> <p>-20 to 100 °C</p>	
<p><b>Compatible with</b></p> <p>Qinstruments Devices with Art No 2016-xxx (All instruments with single point connection)</p>	
<p><b>Mounting material</b></p> <p>1x Cylinder screw (BN20146 M3x6-A2, lower head)   1x Torx screwdriver TX8</p>	
<p><b>Adapter dimensions</b></p> <p>see drawing</p>	
<p><b>Weight</b></p> <p>95 g   3.35 oz</p>	
<p><b>Recommended max rpm</b></p> <p>The maximum speed depends on a set of parameters like used device, liquid volume, height of labware, ... A general applicable value cannot be specified. Please refer to the operation manual of your device for additional information.</p>	

\* Latest information and possibly additional adapters are available on request: <https://www.qinstruments.com/contact/>



TECHNICAL SPECIFICATIONS ARE SUBJECT TO CHANGE WITHOUT NOTICE!