

Product Profile

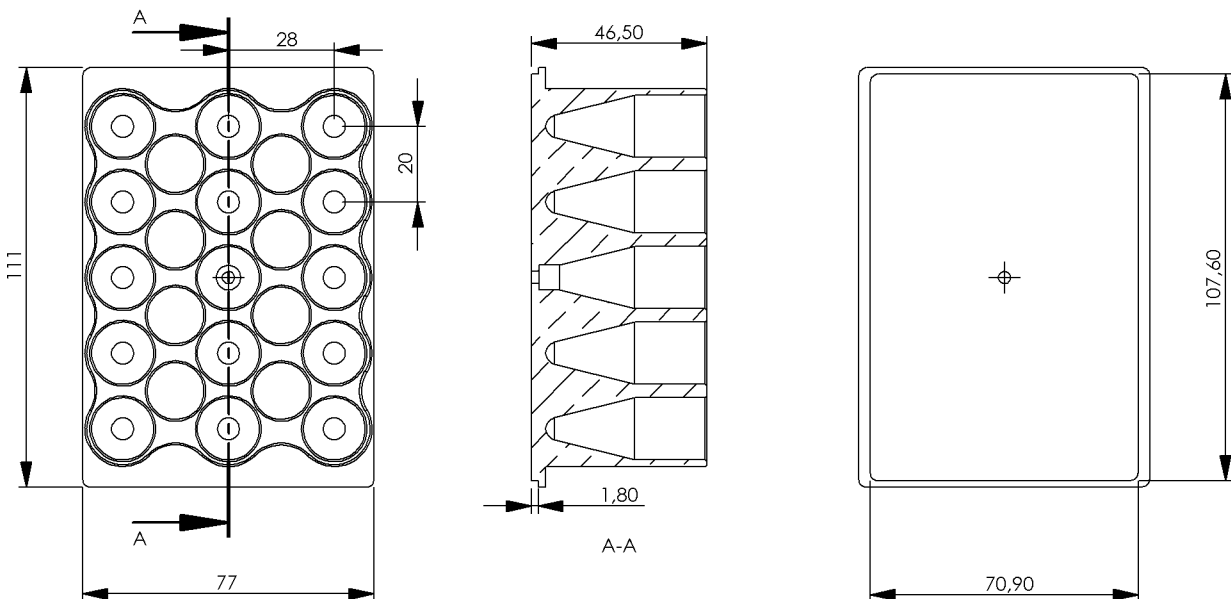
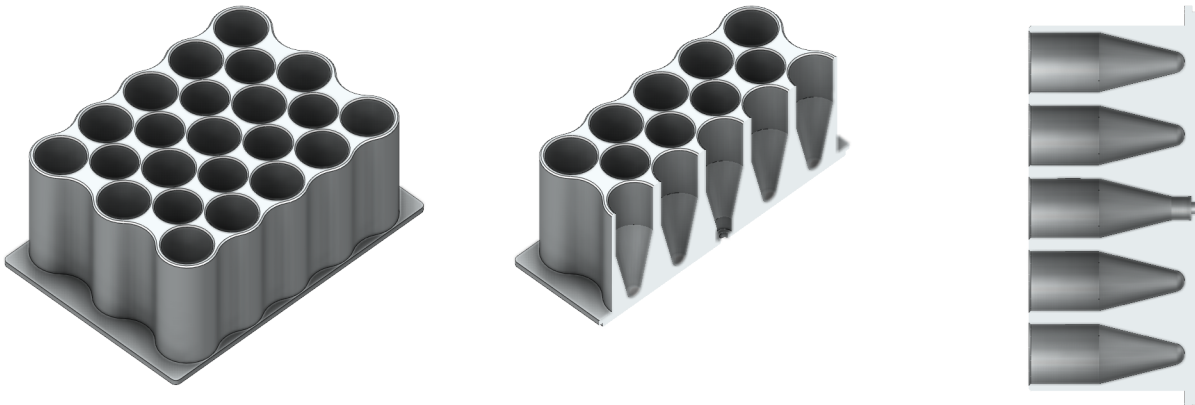
Part number	2016-1060
Article name	Adapter - 15x 5.0 ml tubes
Category	Conical shape / tubes
CO Customs tariff code	DE 8419 89 98

Specifications

Ideal fit for*	
Material / Color	Aluminum anodized
Temperature range	-20 to 100 °C
Compatible with	QInstruments Devices with Art No 2016-xxx (All instruments with single point connection)
Mounting material	1x Cylinder screw (BN20146 M3x6-A2, lower head) 1x Torx screwdriver TX8
Adapter dimensions	see drawing
Weight	460 g 16.23 oz
Recommended max rpm**	1500

* Latest information and possibly additional adapters are available online: <https://www.qinstruments.com/service/downloads/>

** The maximal speed depends on a set of parameters like load and height of labware. Please refer to the operation manual of your device for additional information .



TECHNICAL SPECIFICATIONS ARE SUBJECT TO CHANGE WITHOUT NOTICE!