

Product Profile

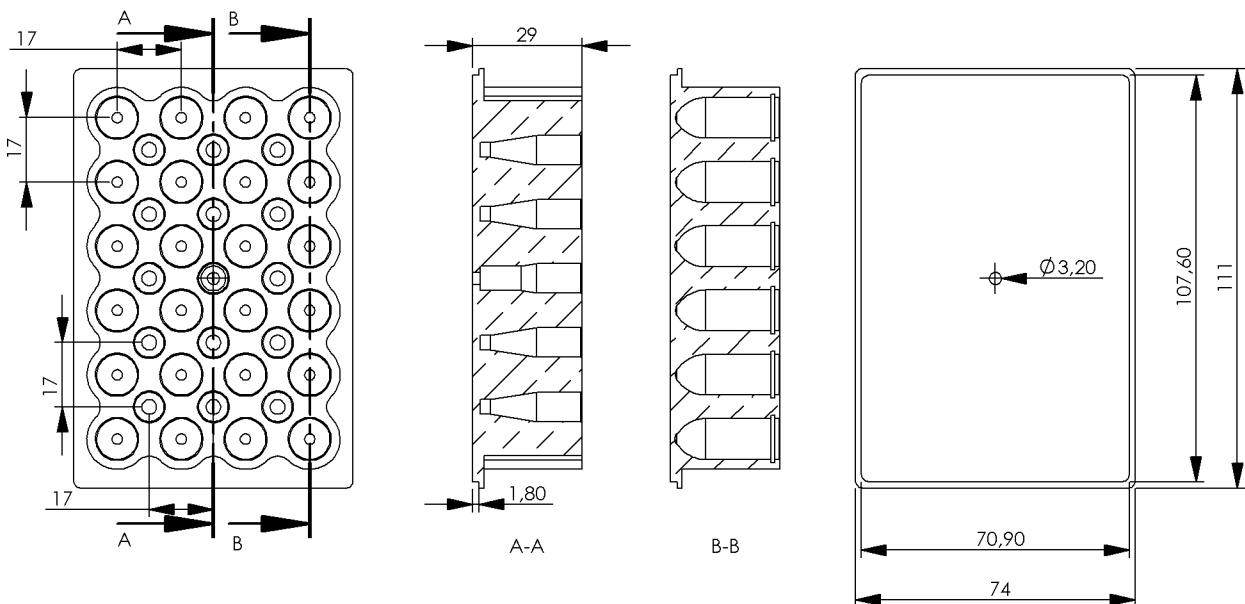
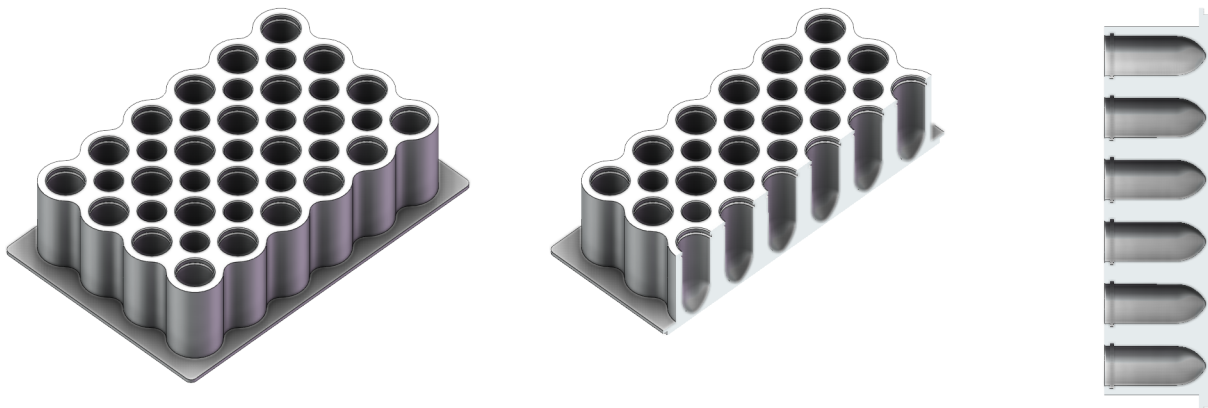
Part number	2016-1061
Article name	Adapter Tubes . 24x 2.0 ml . 15x 0.5 ml
Category	Cylindrical shape / vial
CO Customs tariff code	DE 8419 89 98

Specifications

Ideal fit for*	
Material / Color	Aluminum anodized
Temperature range	-20 to 100 °C
Compatible with	QInstruments Devices with Art No 2016-xxx (All instruments with single point connection)
Mounting material	1x Cylinder screw (BN20146 M3x6-A2, lower head) 1x Torx screwdriver TX8
Adapter dimensions	see drawing
Weight	318 g 11.22 oz
Recommended max rpm**	1800

* Latest information and possibly additional adapters are available online: <https://www.qinstruments.com/service/downloads/>

** The maximal speed depends on a set of parameters like load and height of labware. Please refer to the operation manual of your device for additional information .



TECHNICAL SPECIFICATIONS ARE SUBJECT TO CHANGE WITHOUT NOTICE!