

Adapter specification

Product no.: 2016-1078

Product name: Adapter 24x 2.0 ml glass vials, Ø 12.7 mm

Description: Adapter for cooling and heating of microplates
Temperature range -10 to 100 °C
Compatible with all BioShake/ColdPlate/HeatPlate automation modules
with single point connection

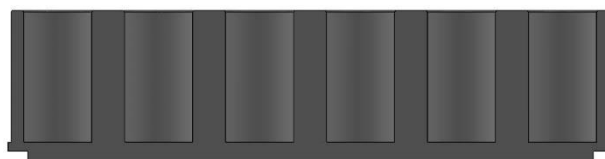
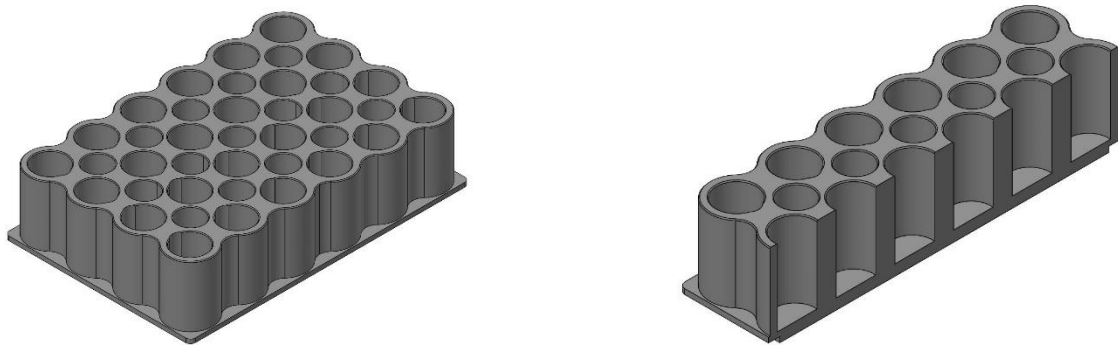
Ideal fit for: glass vials 24x 2.0 ml glass vials, Ø 12.7 mm

Material / Color: Aluminum anodized

Only using for: QInstruments Modules with Art. No. 2016-xxx

Manufacturer name: Quantifoil Instruments GmbH

Address: Loebstedter Str. 101 . 07749 Jena . Germany



Drawing:

