

**Product Profile**

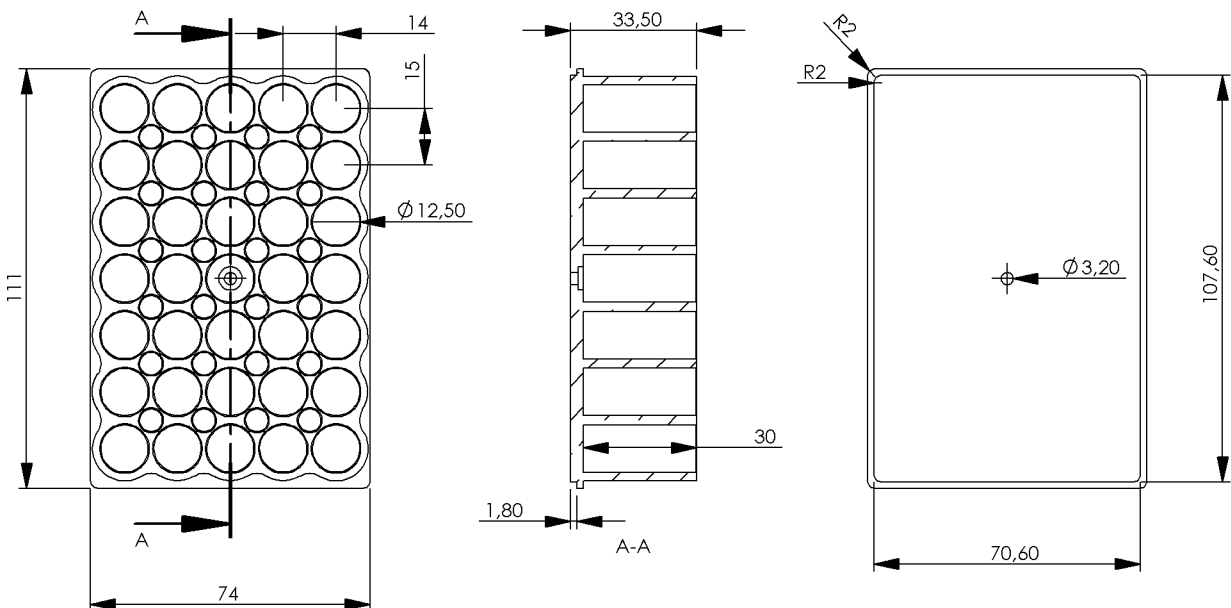
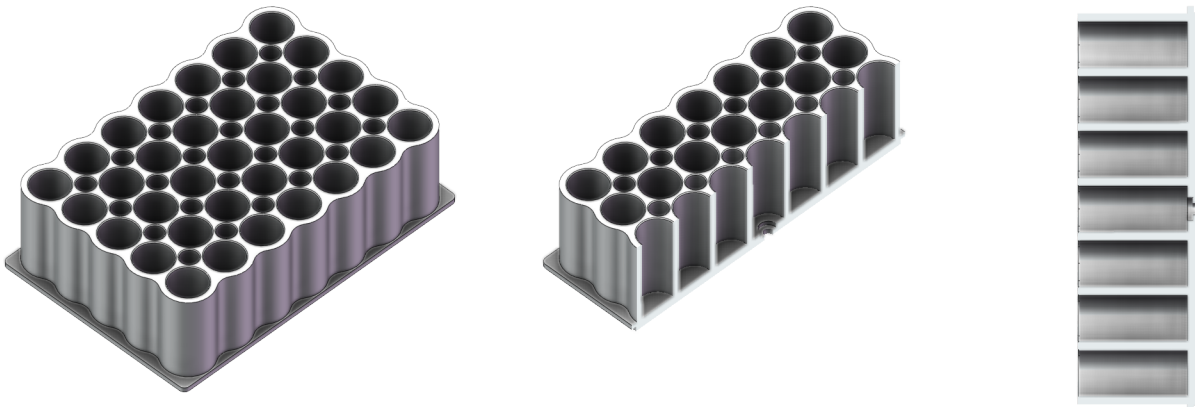
Part number	2016-1080
Article name	Adapter - 35x 2.0 ml vials, Ø 12.8 mm
Category	Cylindrical shape / vial
CO   Customs tariff code	DE   8419 89 98

**Specifications**

Ideal fit for*	
Material / Color	Aluminum anodized
Temperature range	-20 to 100 °C
Compatible with	QInstruments Devices with Art No 2016-xxx (All instruments with single point connection)
Mounting material	1x Cylinder screw (BN20146 M3x6-A2, lower head)   1x Torx screwdriver TX8
Adapter dimensions	see drawing
Weight	272 g   9.59 oz
Recommended max rpm**	1800

\* Latest information and possibly additional adapters are available online: <https://www.qinstruments.com/service/downloads/>

\*\* The maximal speed depends on a set of parameters like load and height of labware. Please refer to the operation manual of your device for additional information .



TECHNICAL SPECIFICATIONS ARE SUBJECT TO CHANGE WITHOUT NOTICE!