

Product Profile

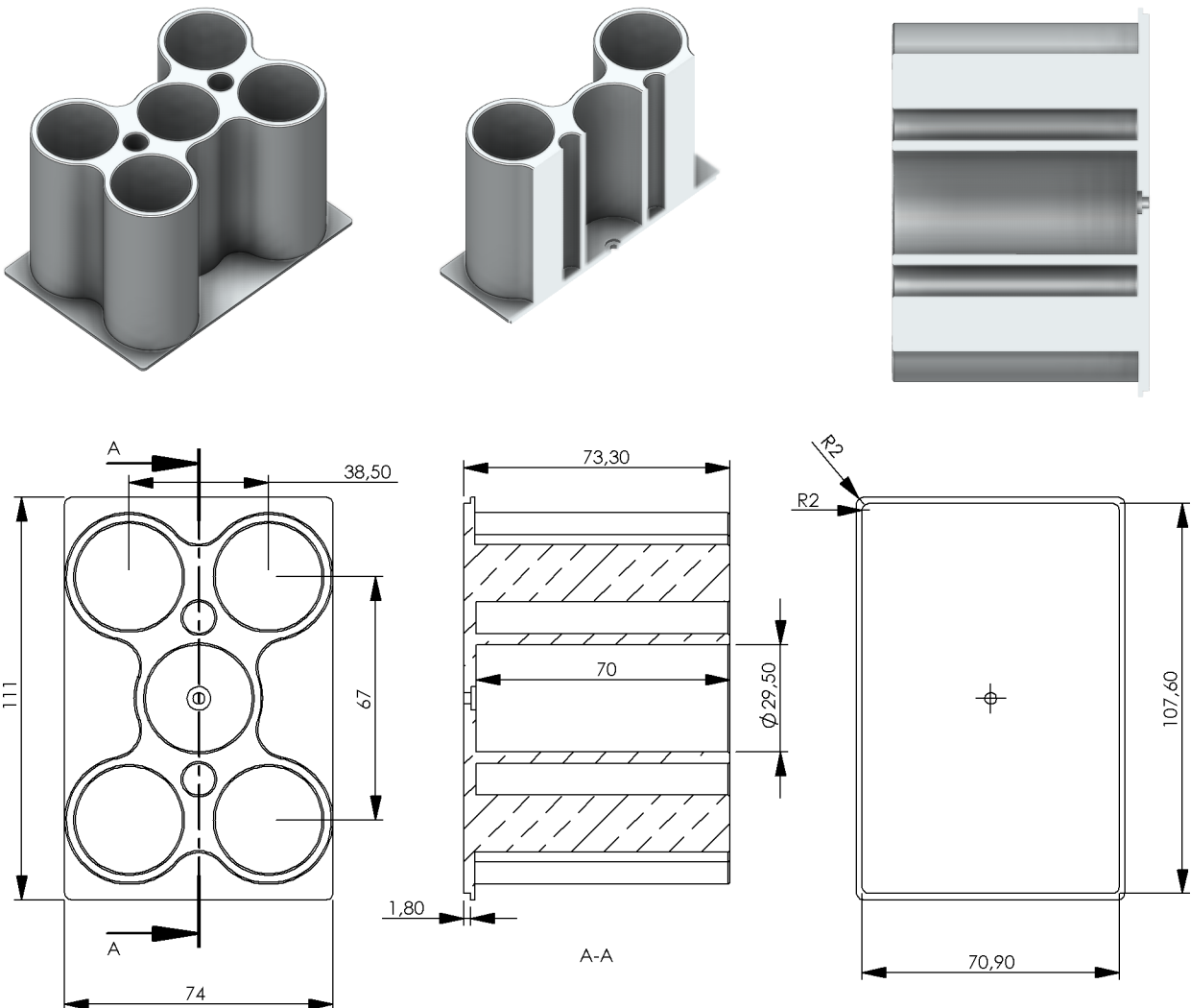
| | |
|--------------------------|------------------------------------|
| Part number | 2016-1093 |
| Article name | Adapter for FALCON® tubes 5x 50 ml |
| Category | Cylindrical shape / vial |
| CO Customs tariff code | DE 8419 89 98 |

Specifications

| | |
|-----------------------|--|
| Ideal fit for* | |
| Material / Color | Aluminum anodized |
| Temperature range | -20 to 100 °C |
| Compatible with | QInstruments Devices with Art No 2016-xxx (All instruments with single point connection) |
| Mounting material | 1x Cylinder screw (BN20146 M3x6-A2, lower head) 1x Torx screwdriver TX8 |
| Adapter dimensions | see drawing |
| Weight | 442 g 15.59 oz |
| Recommended max rpm** | 1000 |

* Latest information and possibly additional adapters are available online: <https://www.qinstruments.com/service/downloads/>

** The maximal speed depends on a set of parameters like load and height of labware. Please refer to the operation manual of your device for additional information .



TECHNICAL SPECIFICATIONS ARE SUBJECT TO CHANGE WITHOUT NOTICE!