

## Adapter specification

---

**Product no.:** 2016-1214

**Product name:** Adapter – Storage DWP 96 Well 2.0ml

---

**Description:** Adapter for cooling and heating of microplates  
Temperature range -10 to 100 °C  
Compatible with all BioShake/ColdPlate/HeatPlate automation modules  
with single point connection

**Ideal fit for:** Axygen #P-ML-SQ-C, Corning #3961, Starlab PlateOne® #S1896-2000,  
Eppendorf #0030504305 and similar disposables

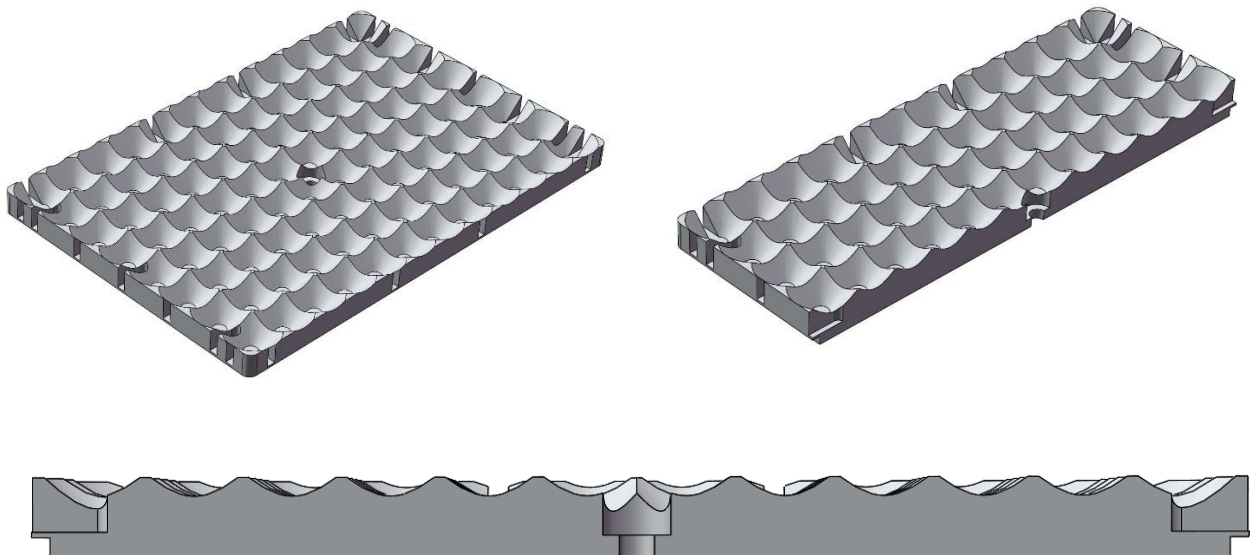
**Material / Color:** Aluminum anodized

**Only using for:** QInstruments Modules with Art. No. 2016-xxx

---

**Manufacturer name:** Quantifoil Instruments GmbH  
**Address:** Loebstedter Str. 101 . 07749 Jena . Germany

---



**Drawing:**

