

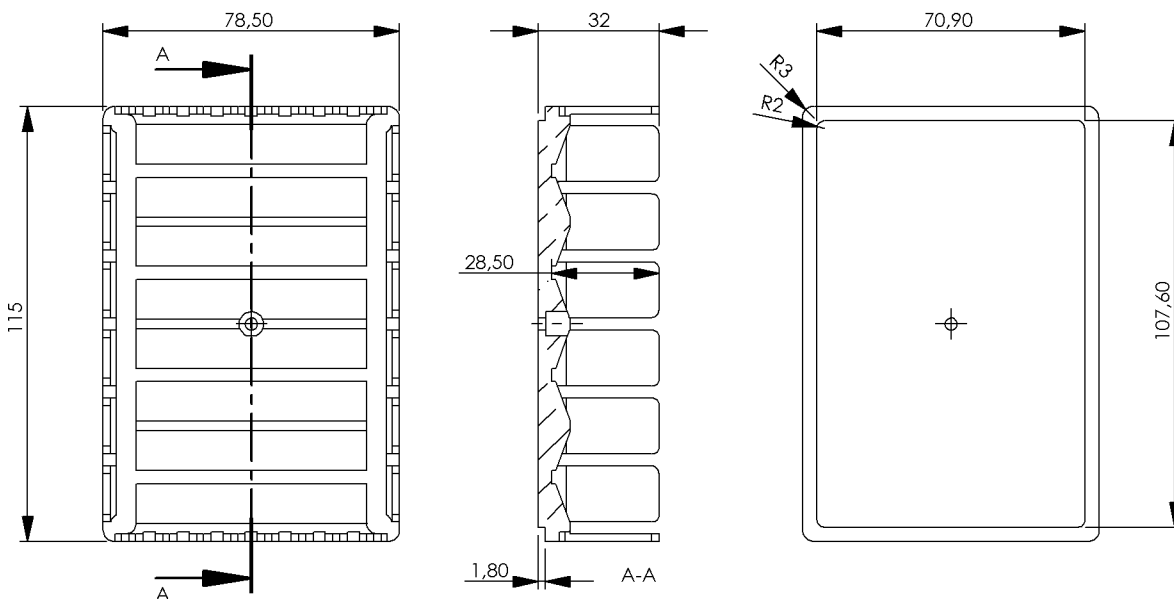
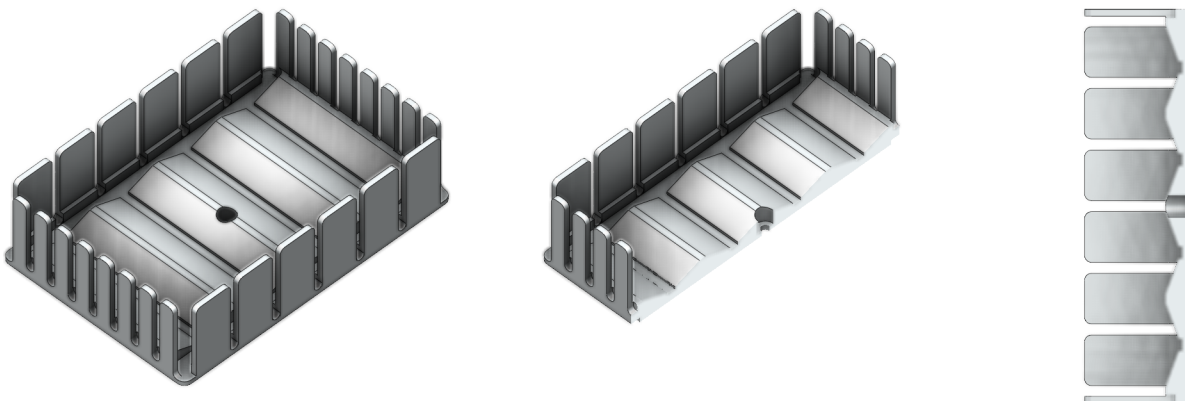
Product Profile

Part number	2016-1332
Article name	Adapter - Reservoir DW 4-column base
Category	Reservoir
CO Customs tariff code	DE 8479 90 70

Specifications

Ideal fit for*	Agilent Reservoir MP DW 4-column base <small>Agilent Agilent 201308-100, 204282-100, Corning RES-MV4-HP, Brand 701458, Porvair 390107, 391006</small>
Material / Color	Aluminum anodized
Temperature range	-20 to 100 °C
Compatible with	QInstruments Devices with Art No 2016-xxx (All instruments with single point connection)
Mounting material	1x Cylinder screw (BN20146 M3x6-A2, lower head) 1x Torx screwdriver TX8
Adapter dimensions	see drawing
Weight	190 g 6.7 oz
Recommended max rpm	The maximum speed depends on a set of parameters like used device, liquid volume, height of labware, ... A general applicable value cannot be specified. Please refer to the operation manual of your device for additional information.

* Latest information and possibly additional adapters are available on request: <https://www.qinstruments.com/contact/>



TECHNICAL SPECIFICATIONS ARE SUBJECT TO CHANGE WITHOUT NOTICE!