

Product profile	
Part number	2016-0517
Article name	BioShake 3000-T elm
Description	Automation friendly Shaker with heating function. Designed to be integrated in liquid handling and automation platforms to process labware in chemical and biological laboratories.
Recommended use	Automation Shaking Heating Microplates
Scope of delivery	BioShake 3000-T elm External power supply Power cords Europe & US 2x screws to mount device (M3 x 18 DIN 912) Calibration certificate Operation & Integration manual
Conforming use	System is operated by qualified and trained research and laboratory personnel. Applicable safety standards or rules need always be fulfilled.
Country of origin	DE
Customs tariff code	8479 82 00
Mixing	
Mixing frequency range*	200 to 3000 rpm with 1 rpm increment resolution
Mixing orbit	constant 2.0 mm diameter
Mixing regulation accuracy	± 25 rpm
Accel. / Decel. range	1 - 30 seconds
Accel. / Decel. resolution	1 second increments
Zero position	Locked zero position with ± 0.1 mm accuracy
* Feasible frequency heavily depends on load weight and height	
Temperature control	
Temperature range*	RT to 99.9 °C (RT to 211.82 F) with 0.1 °C increment resolution
Temperature accuracy	± 0.1 °C
Temperature uniformity*	±0.5 °C at 45 °C ±0.7 °C at 75 °C ±1.0 °C at 95 °C
Heating speed above RT*	~ 7 K/min (10 min from 21 °C to 95 °C)
* Value depends on the used thermo-adapter. Given value conditions: RT = 21 °C, Adapter = 2016-1041, 96-well PCR, adapter temperature	
ELM positioning	
Description	Patented Edge Locking Mechanism (elm) for repeatable and accurate positioning of microplates on a liquid handling or automation platform
Unlocked	Plate locking open, ready for labware exchange manually or with gripper/roboter
Locked	Plate locking closed, strong diagonal centered fixation
ELM position accuracy	± 0.1 mm
Thermo-adapter plates for different labware	
Description	An Adapter is required for optimal temperature transfer and/or shake non microplate labware and needs to be purchased separately. The adapter can be exchanged by the user.
Microplates	All microplates according ANSI-SLAS format 4-, 6-, 8-, 12-, 24-, 48-, 96-, 384-, and 1536-well microplates, deep well plates, PCR plates
Tubes and Vials	0.2, 0.5, 1.5, 2.0 ml standard tubes 2.0, 4.0, 6.0, 8.0, 10.0 ml cylindrical shaped vials
Others	Custom made adapter on request
Device control	
Description	Required electronic for remote control is build in the device. No external controller required.
Operation control	Remote controlled as described in the Integration Manual
Peripheral interface	EIA-232 / RS-232 interface (2 m cable with RS-232 plug-in connector) optional: USB via USB-Serial Adapters (Rec. DIGITUS DA-70156) or USB via MOXA USB-to-Serial Hub
Status	LED in front (GREEN = ok RED = error)

Electrical

Operating voltages	24 V DC I _{max} : 4.5 A P _{eff} : 85 Watt P _{max} : 108 Watt
Power supply	Input: 100 - 240 V AC 50 - 60 Hz Output: 24 V DC I _{max} : 5.0 A P _{max} : 120 Watt External power supply unit (CE/UL/CSA approved, 85-264 V AC, 47-63 Hz, IEC/EN60320-1 C14 Degree of protection: IP20)
Power connection*	Prewired cable length 2 m barrel connector ID 2.5 mm x OD 5.5 mm

*Only use the device with the delivered power cord. If another power cord is used ensure the wire diameter is adequate.

Operating, transport and storage conditions

Operating range	5 °C - 45 °C (41 - 113 F) 10 - 80 % RH up to 2000 m above sea level non-condensing
Floor base requirements	stable (resonance free) horizontal dry inside buildings even well ventilated and no direct exp. to sunlight
Transportation and storage	-10 °C - 60 °C (14 - 140 F) 10 - 80 % RH non-condensing

General properties

Housing material	Aluminum anodized
Degree of protection	IP20 (Protected against solid objects up to 12 mm No protection against water)
Pollution degree	1 (no contamination or only dry, non-conductive contamination, whereby the contamination has no influence)
Airborne sound emission	< 70 db (A)

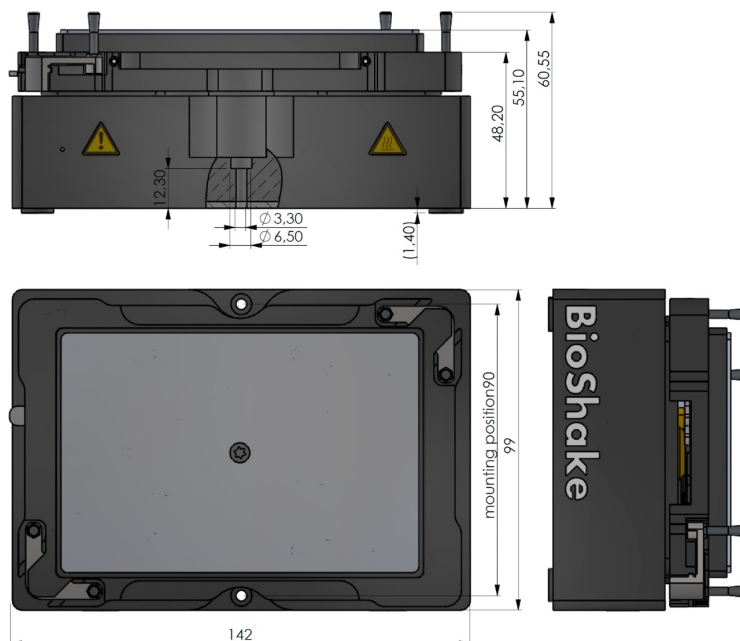
Dimension and weight

Dimensions	(W x D x H) 142 x 99 x 60.45 mm 5.59 x 3.9 x 2.38 inch
Weight	1.7 kg 3.75 lbs
Packaging size	(W x D x H) 495 x 260 x 100 mm 19.49 x 10.24 x 3.94 inch cardboard box
Packaging weight	3 kg 6.61 lbs

Certifications

Regulatory compliance	2014/30/EU, 2015/863/EU, 2011/65/EU, DIN EN 61010-1:2020-03, DIN EN 61010-2-010:2015-05, DIN EN 61010-2-051:2016-02, DIN EN 61326-1:2013-07, DIN EN 50581:2013-02, DIN EN 61000-3-2:2015-03, DIN EN 61000-3-3:2014-03
Patents pending	WO2008135565, US8323588, EP2144716, WO2011113858, US9126162, EP2547431, WO2013113847, US10052598, EP2809436, WO2013113849, US9371889, EP2809435, WO2014207243, US20160368003, EP3013480 Please notify us in writing, by email or mail to our designated agent, if you believe that a user has infringed our intellectual property rights

Drawing



TECHNICAL SPECIFICATIONS ARE SUBJECT TO CHANGE WITHOUT NOTICE